

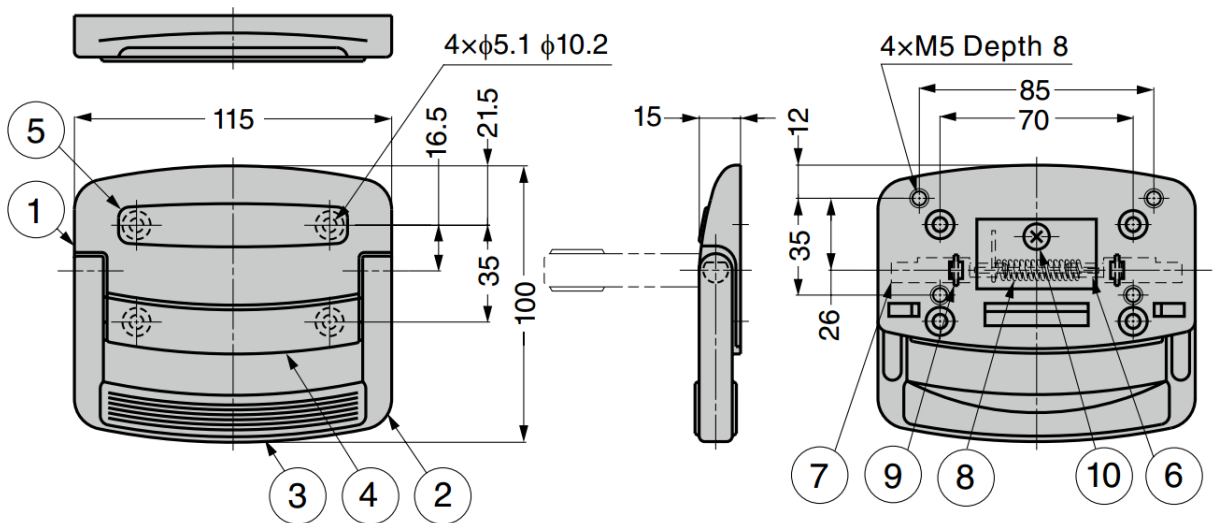
GTMU-115 Trunk Handle

Features

- Spring loaded trunk handle
- Both back screw mount and front screw mount options available
- Small sized type (**GTMU-100**) also available on request, contact Gripwell sales for assistance

Parts Included

- For back screw mount: Truss head screw M5×6
- For front screw mount: Countersunk head wood screw 4.8×25 and 4.8×20



No.	Part Name	Material	Finish / Colour
①	Body	Zinc Alloy (ZDC)	Chrome
②	Handle		
③	Grip	Elastomer (TPE)	Dark Blue
④	Case Cover 1		
⑤	Case Cover 2		
⑥	Back Cover	Steel (SPCC)	Coloured Zinc Chromate
⑦	Shaft	Zinc Alloy (ZDC)	Nickel
⑧	Spring	Steel SWP	Coloured Zinc Chromate
⑨	Pivot Ring	–	5103-31
⑩	Screw	Steel (SWCH)	Coloured Zinc Chromate

Part No.	Load Capacity	
GTMU-115	392 N	40 kg